



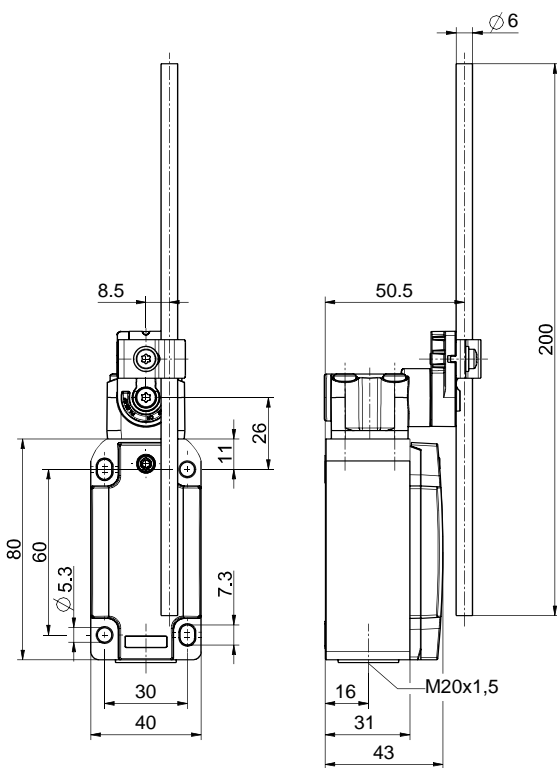
## Position switch EM 98 DD-12

Material number: 1475538 (Material number old: 9106250001)

### Features/Options:

- Metal enclosure
- Design to EN 50041
- Snap action, 2 NC/1 NO contact with double break
- Wiring compartment
- Actuator: Rod lever DD
- Actuator type D to EN 50041
- Actuating speed max. 2.5 m/s with a vertical actuating angle of 30°
- Actuator can be repositioned by 4 x 90°
- Lever angle adjustable in 10° steps

### Dimensions



### Technical data

Applied standards	EN 60947-5-1
Enclosure	aluminium die-cast, powder-coated
Degree of protection	IP 67 to IEC/EN 60529
Contact material	silver
Switching system	snap action
Switching elements	2 NC/1 NO contact, type Zb
Connection	screw connection terminals
Cable cross-section	max. 1.5 mm <sup>2</sup> (incl. conductor ferrules)
Cable entry	1 x M20 x 1.5
Rated impulse withstand voltage $U_{imp}$	4 kV
Rated insulation voltage $U_i$	400 V
Conventional thermal current $I_{the}$	1.5 A
Rated operating current/voltage $I_e/U_e$	1.5 A/230 VAC; 0.27 A/250 VDC
Utilisation category	AC-15; DC-13
Short-circuit protection	1.5 A gG/gN fuse
Mechanical life	> 1 million operations
Operation cycles	max. 1800/h
Ambient temperature	-20 °C ... +80 °C
Approvals	

Errors and omissions excepted.

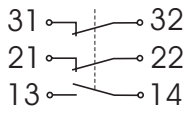


## Position switch

EM 98 DD-12

Material number: 1475538 (Material number old: 9106250001)

### Contact diagram



### Switching diagram

