



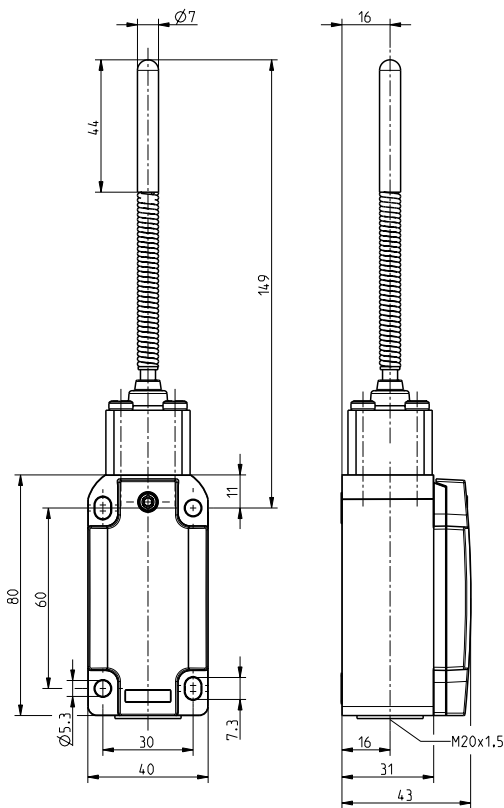
Position switch EM 98 TK-12

Material number: 1218367 (Material number old: 9106360001)

Features/Options:

- Metal enclosure
- Design to EN 50041
- Snap action, 2 NC/1 NO contact with double break
- Wiring compartment
- Actuator: Spring rod with plastic tip TK
- Wear-resistant plastic tip
- Spring rod can be actuated from any direction
- Elasticity of spring allows for deflection above the max. switching angle of 12°

Dimensions



Technical data

Applied standards	EN 60947-5-1
Enclosure	aluminium die-cast, powder-coated
Degree of protection	IP 67 to IEC/EN 60529
Contact material	silver
Switching system	snap action
Switching elements	2 NC/1 NO contact, type Zb
Connection	screw connection terminals
Cable cross-section	max. 1.5 mm ² (incl. conductor ferrules)
Cable entry	1 x M20 x 1.5
Rated impulse withstand voltage U_{imp}	4 kV
Rated insulation voltage U_i	400 V
Conventional thermal current I_{the}	1.5 A
Rated operating current/voltage I_e/U_e	1.5 A/230 VAC; 0.27 A/250 VDC
Utilisation category	AC-15; DC-13
Short-circuit protection	1.5 A gG/gN fuse
Mechanical life	> 1 million operations
Operation cycles	max. 1800/h
Ambient temperature	-20 °C ... +80 °C
Approvals	
Weight	320 g

Errors and omissions excepted.



Position switch

EM 98 TK-12

Material number: 1218367 (Material number old: 9106360001)

Contact diagram

