



Magnetic sensor RC 90 1S 15VA 6mm Klemmstück-2m Material number: 1046158 (Material number old: 29020201)

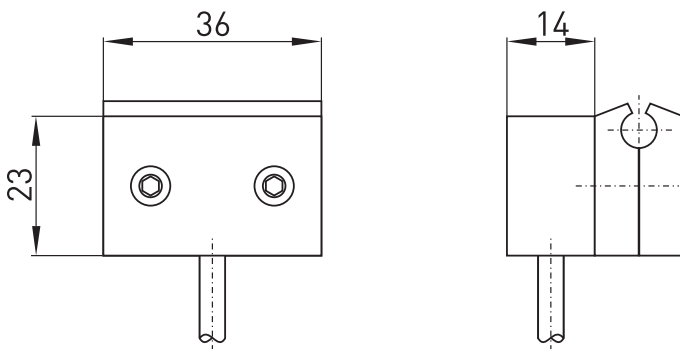
Features/Options:

- Thermoplastic enclosure
- Long life
- 1 Reed contact
- Actuation from front and from side
- With pre-wired cable

Notes

- The actuator is not included in the delivery of the switches

Dimensions



Technical data


Applied standards	EN 60947-5-2
Enclosure	polyamide, glass-fibre reinforced
Degree of protection	IP 65 to IEC/EN 60529
Switching system	reed contacts
Switching elements	1 NO contact
Connection	Pre-wired cable PVC LiYY
Cable cross-section	2 x 0.34 mm ²
Cable length	2 m
Switching voltage	max. 250 VAC/DC
Switching current	max. 0.5 A
Switching capacity	max. 10 W
Switching frequency	max. 200 Hz
Ambient temperature	-10 °C ... +80 °C
Mechanical life	10 ⁹ operations
Repeatability	± 0.02 mm
Vibration resistance	20 g
Weight	120 g

Errors and omissions excepted.



Magnetic sensor
RC 90 1S 15VA 6mm Klemmstück-2m
Material number: 1046158 (Material number old: 29020201)

Contact diagram

BU  BN