



Foot switch with metal enclosure

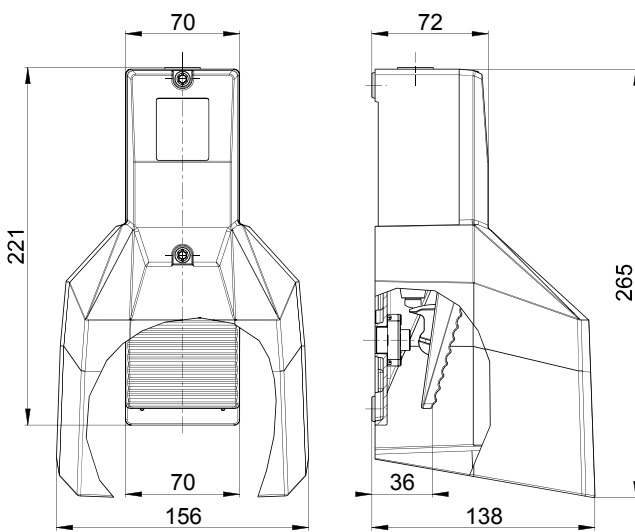
GFS 1ÖS D 1ÖS

Material number: 1048686 (Material number old: 81221001)

Features/Options:

- With pressure point: 2-step switch
- 4 contacts
- Metal enclosure
- With protective shield
- High level of stability
- Low pedal height
- Wiring compartment

Dimensions



Technical data

Applied standards	EN 60947-5-1
Enclosure	aluminium die-cast, powder-coated
Pedal	thermoplastic, glass-fibre reinforced, impact resistant, self-extinguishing UL 94 V-0
Protective shield	aluminium die-cast, powder-coated
Degree of protection	IP 65 to IEC/EN 60529
B _{10d} (10 % load)	2 million
T _M	max. 20 years
Connection	screw connection terminals
Cable cross-section	max. 2.5 mm ² (incl. conductor ferrules)
Cable entry	1 x M20 x 1.5
Contact material	silver
Switching system	slow action, positive break NC contacts ⊖
Switch insert	2 x ES 40 GF
Switching elements	2-step switching: 1 NC/1 NO contact pressure point: 1 NC/1 NO contact
Actuating force	pressure point approx. 245 N
Utilisation category	AC-15
Rated operating current/voltage I _e /U _e	6 A/400 VAC
Short-circuit protection	6 A gG/gN fuse
Ambient temperature	-25 °C ... +80 °C
Mechanical life	> 1 million operations

Approvals



Errors and omissions excepted.



Foot switch with metal enclosure

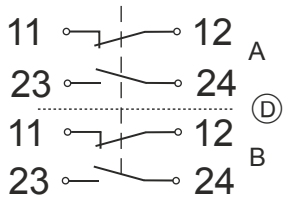
GFS 1ÖS D 1ÖS

Material number: 1048686 (Material number old: 81221001)

Technical data

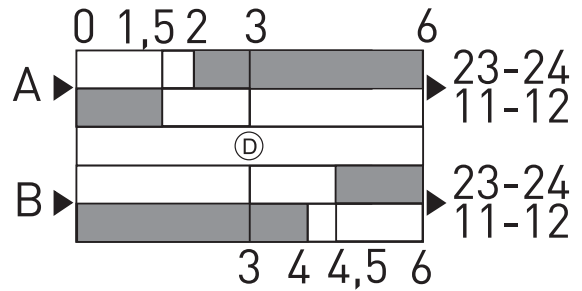
Weight 1200 g

Contact diagram



(D) Pressure point

Switching diagram



(D) Pressure point