



## Position switch with safety function

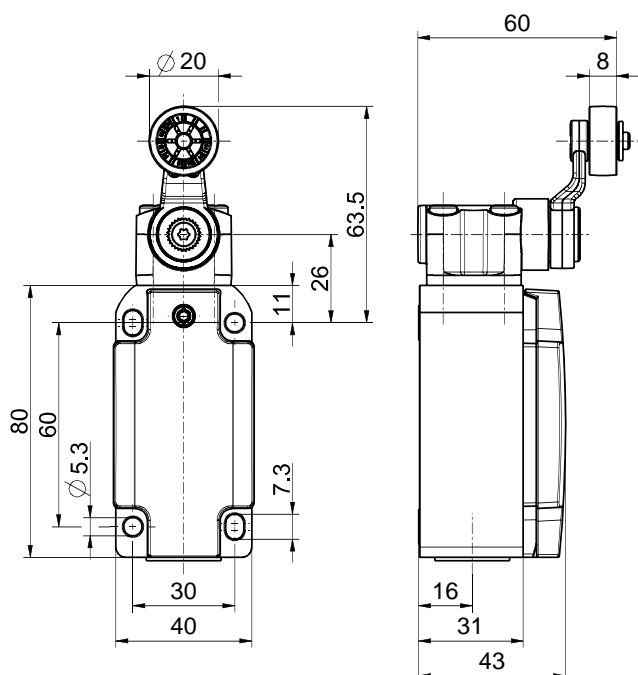
ES 98 D-11

Material number: 1189646 (Material number old: 9100210001)

### Features/Options:

- Metal enclosure
- Design to EN 50041
- Slow action  $\ominus$ , change-over contact with double break
- Actuator: Rocking lever D
- Actuator type A to EN 50041
- Actuating speed max. 2.5 m/s with a vertical actuating angle of 30°
- Wear-resistant plastic roller
- Actuator can be repositioned by 4 x 90°
- Lever angle adjustable in 10° steps

### Dimensions



### Technical data

Applied standards	EN ISO 13849-1, EN 60947-5-1, EN ISO 14119
Enclosure	aluminium die-cast, powder-coated
Switch type	type 1
Coding level	no coding
Degree of protection	IP 67 to IEC/EN 60529
B <sub>10d</sub> (10 % load)	2 million
T <sub>M</sub>	max. 20 years
Contact material	silver
Switching system	slow action, positive break NC contacts $\ominus$
Switching elements	1 NC/1 NO contact, type Zb
Connection	screw connection terminals
Cable cross-section	max. 2.5 mm <sup>2</sup> (incl. conductor ferrules)
Cable entry	1 x M20 x 1.5
Rated impulse withstand voltage U <sub>imp</sub>	4 kV
Rated insulation voltage U <sub>i</sub>	400 V
Conventional thermal current I <sub>the</sub>	6 A
Rated operating current/voltage I <sub>e</sub> /U <sub>e</sub>	6 A/250 VAC; 0.25 A/230 VDC; 3 A/24 VDC; 5 A/5 VDC
Utilisation category	AC-15; DC-13
Short-circuit protection	6 A gG/gN fuse
Mechanical life	> 1 million operations
Operation cycles	max. 1800/h
Ambient temperature	-20 °C ... +80 °C

Errors and omissions excepted.



## Position switch with safety function

ES 98 D-11

Material number: 1189646 (Material number old: 9100210001)

### Technical data

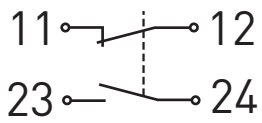
#### Approvals



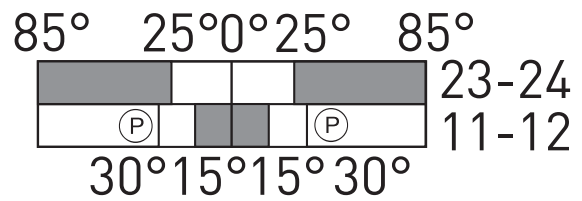
#### Weight

320 g

### Contact diagram



### Switching diagram



Ⓟ Positive break travel/angle