



Multi-function handle

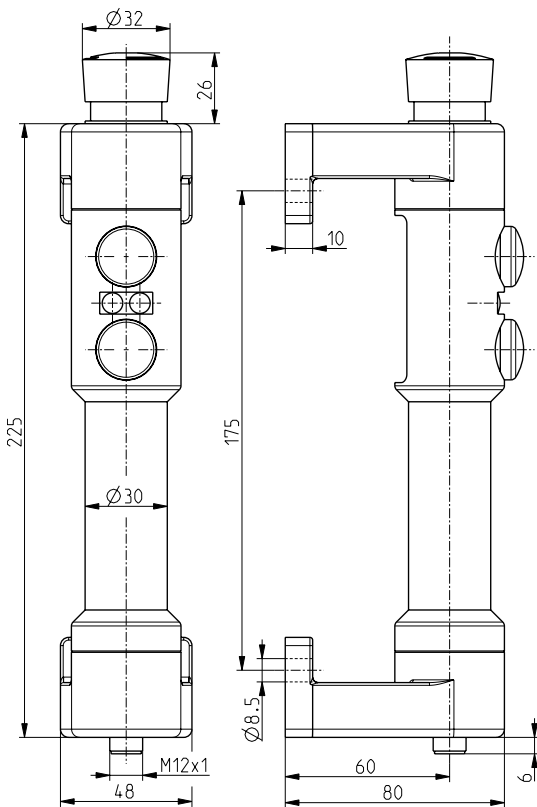
TG-S xx 2Ö S

Material number: 1179402 (Material number old: 97955912)

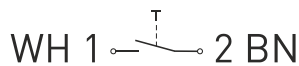
Features/Options:

- Thermoplastic handle
- Long life
- Emergency-stop push button to EN 60947-5-5: 2-channel ☹
- Black start push button: 1 NO contact
- Black enabling push button: 1 NO contact
- With plug-in connector M12 x 1, 8-pole

Dimensions



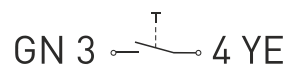
Contact diagram start push-button



Technical data

Applied standards	EN 60947-5-1, EN 60947-5-5
Enclosure	POM, glass-fibre reinforced, impact resistant
Degree of protection	IP 65 to IEC/EN 60529
B _{10d} (10 % load)	100 000
T _M	max. 20 years
Connection	Plug-in connector, A-coded
Rated operating current/voltage I _e /U _e	0.6 A/28 VDC LEDs: 10 mA/24 VDC
Rated insulation voltage U _i	30 VDC
Rated switching capacity	max. 0.6 W
Degree of pollution	3
Mechanical life	> 50 000 operations
Ambient temperature	-25 °C ... +55 °C
Weight	394 g

Contact diagram enabling push-button



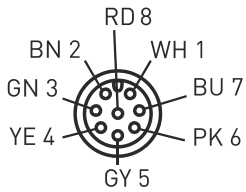


Multi-function handle

TG-S xx 2Ö S

Material number: 1179402 (Material number old: 97955912)

Plug-in configuration (view from plug side)



Contact diagram emergency-stop push-button

