



Safety sensor HS Si 4 1Ö/1S - 10m Material number: 1215789

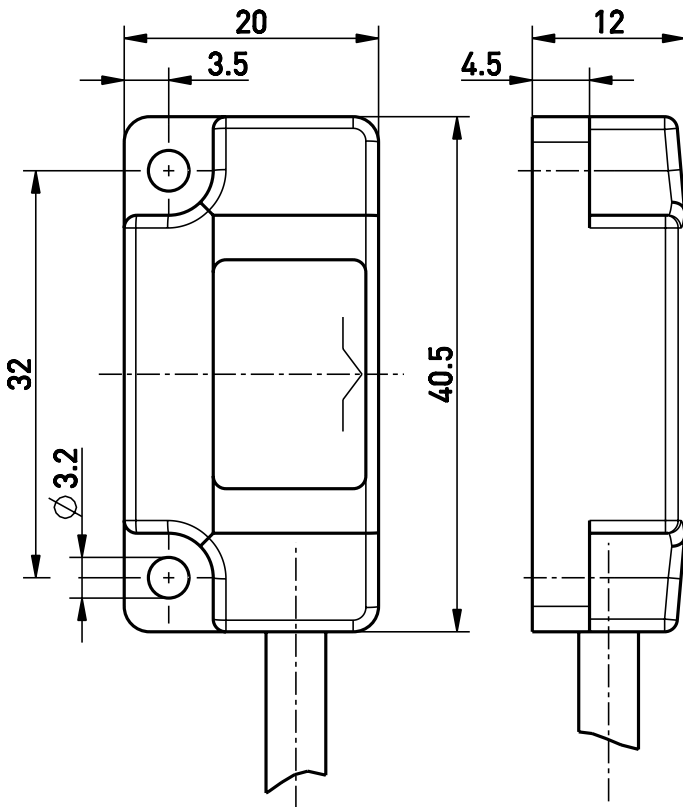
Features/Options:

- Thermoplastic enclosure
- Long life
- High shock resistance
- Hall sensor 1 NC/1 NO contact

Notes

- The actuator is not included in the delivery of the switches

Dimensions



Technical data

Applied standards	EN 60947-5-2, EN 60947-5-3, EN ISO 13849-1, EN ISO 14119, EN 62061
Enclosure	thermoplastic, glass-fibre reinforced, impact resistant, self-extinguishing UL 94 V-0
Sensor type	type 4 interlocking device
Coding level	low coding
Degree of protection	IP 67 to IEC/EN 60529
Safety-relevant data:	
EN ISO 13849-1	Performance Level PL e
Category	4
T_M	max. 20 years
MTTF _d	> 100 years
DC/DC _{avg}	> 99 %
EN 62061	SIL CL 3
PFH _d	$\geq 2.47 \times 10^{-8}$ 1/h
Note	The safety-related data are only valid in combination with a safety module, e.g. SRM 21 RT2 (mat. no. 1179203).
Switching system	Hall sensor, 2 galvanically separated channels, semiconductor
Switching elements	1 NC/1 NO contact
Connection	cable 6 x AWG 26
Cable length	10 m
Rated operating voltage U _e	24 VDC

Errors and omissions excepted.



Safety sensor
 HS Si 4 1Ö/1S - 10m
 Material number: 1215789

Technical data

Rated operating voltage range 10 ... 30 VDC
 U_B

Rated operating current I_e max. 40 mA per channel

Utilisation category DC-12

No-load supply current I_0 max. 6 mA per channel

Voltage drop at I_e max. 2.5 V

Switch-on/switch-off time < 1 ms

Attendance delay t_v < 100 ms

Short-circuit protection < 50 mA internal reversible fuse

Switching frequency max. 100 Hz

Safety class II

Degree of pollution 3

Ambient temperature -20 °C ... +70 °C

Storage and shipping temperature -40 °C ... +70 °C

Rated switching distance s_n 7 mm

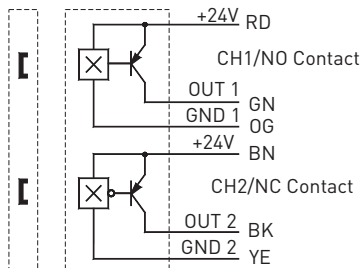
Assured switching distance
 »ON« s_{ao} 6 mm

Assured switching distance
 »OFF« s_{ar} 20 mm

Repeatability $\leq 5\%$

Weight 314 g

Contact diagram



Axial misalignment

