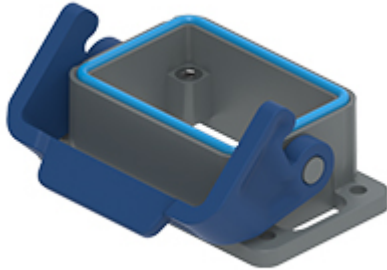


Part number

THIH 06 L



Bulkhead mounting housing, T-TYPE /H series,
with 1 lever, size "44.27"

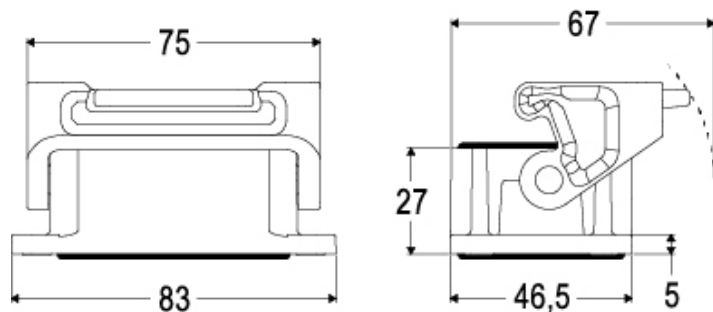
Product description		Material properties	
Product type	Bulkhead mounting housing	Main material	Polypropylene (PP)
Series	T-TYPE /H	Other materials	Lever: Polypropylene (PP), metal-detectable Gasket: HNBR
Closing type	With 1 lever	Colour	RAL 7012 grey, RAL 5005 blue
Size	Size 44.27	RoHs conformity	Compliant
Cable entry	Without cable entry	China RoHs - EFUP	E
Technical data		REACH SVHC substances	No
IP degree of protection	IP66 / IP69	Approvals / Standards	
Further technical details		Certifications	DNV, BV
Weight	50,50 g	UL	ECBT2
Operating temperature range (min, max)	-40°C ... +70°C	cUL	ECBT8
		General ordering information	
		EAN13 code	8015747209755
		eCl@ss 8.1	27440202
		ETIM 7.0	EC000437
		Packaging Information	
		Packaging length	260,00 mm
		Packaging height	190,00 mm
		Packaging width	220,00 mm
		Packaging weight	2,37 kg
		Packaging volume	10,87 dm ³
		Packaging description	Carton box
		Packaging quantity	40 Pcs
		Packaging EAN code	8015747209793
		Sub-packaging weight	0,30 kg
		Sub-packaging description	Plastic packaging
		Sub-packaging quantity	5 Pcs
		Sub-packaging EAN barcode	8015747209809

Part number

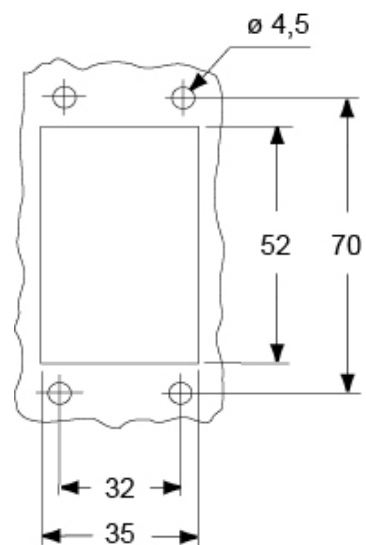
THIH 06 L



Catalogue drawings



Catalogue drawings



Notes

Dimensions shown in mm are not binding and may be changed without notice.